



Winterization of Your Above Ground Pool (BAQUACIL Pools)

As summer comes to an end, all swimming pools must be prepared for the winter season. When closing your pool for the year, a number of precautions must be taken to ensure not only the clarity of the pool water, but the safety of the pool and its equipment as well. Since all pools are different it would be impossible to cover everything on this sheet, but we want to, at least, give you some helpful guidelines to assist you the best we can. Remember, if you have any questions, we are here for you! Call us or stop by for help!

The Items You'll Need:

- Baquacil Sanitizer & Oxidizer
- Baquacil Algacide
- Winter Cover
- Cover Cable & Turnbuckle
- Cover Clips
- Ice Equalizer Pillow(s)
- String or Twine or "Pillow Pal"
- Skimmer Ice Plate
- Plug for Return Fitting/Jet
- Pool Cover Pump or Siphon
- Non-Petroleum Lube (Magic or Jack's)
- Pump Protector

1) The first things that should be done are simple housekeeping chores. To properly close your pool for the season, it should be first skimmed, brushed and vacuumed and be as clear as possible. The cleaner you close your pool, the cleaner it'll be in the spring.

2) Next, you'll need to add the proper chemicals to help ensure the water clarity during the coming months. The best time to add these chemicals is the night before you close your pool and then let the filter run overnight to circulate them. "Backwash" your filter thoroughly in the morning before you move on to step 3.

The Proper Chemicals:

- Add 1 gal. Baquacil Oxidizer per 10,000 gallons of pool water and then wait one hour.
- One hour after adding Oxidizer, add 5 1/4 oz. of Baquacil Algacide per 10,000 gallons of pool water.
- Right after adding Algacide, test water and add enough Baquacil Sanitizer to achieve a level between 30 - 50 p.p.m.

3) Turn off the pump and close off the Skimmer and Return Fitting/Jet.

-When closing off the return, be sure to use the correct plug. Most returns have an "eye ball" threaded into the fitting. You would have to remove it. If you have this type of eye ball, you'll have to thread a 1.5" male plug in the hole once the eye ball is removed. If your return fitting does not have threads, a #9 or #10 rubber expandable plug would be the most common sizes used ("Aqualuminator" Lights use a #9 plug.)

-When closing off the skimmer, we recommend the use of a Skimmer Ice Plate . This plate is designed to mainly keep water from escaping through your skimmer and keep enough water in the pool so the pool walls don't bend inward. Some Ice Plates screw onto the face of the skimmer and some are simply pressed into the face of the skimmer. Either one you use will be fine. DO NOT plug the bottom of your skimmer! If rain or snow gets into your skimmer through its cover on top, you want that water or snow to escape through the skimmer's bottom hole so the skimmer does not crack.

These Directions Are Continued On The Back

Will you miss your pool now that Summer's over?

Learn more about how fun and easy owning a Jacuzzi Hot Tub can be!

No chemical smell! No irritated eyes or skin! No complicated procedures to follow! No high chemical costs!

It's CLEARRAY...the easiest way to care for your Jacuzzi Brand Hot Tub!

Visit www.PoolsCuesSpas.com to learn more about Jacuzzi Hot Tubs & CLEARRAY!



Winterization of Your Above Ground Pool (BAQUACIL Pools)

4) Draining or not draining the water. No one really wants to drain any water from the pool in the fall, because this means they'll have to add more water in the spring, but you may want to. The reason for the return plug and ice plate is so that enough water stays in the pool, so that the walls don't bend inward. If the water is too low in the pool, this puts the pool in serious jeopardy of collapsing.

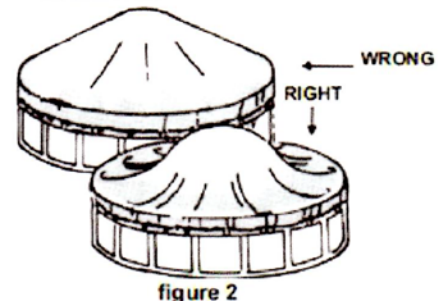
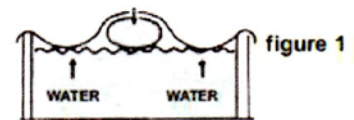
-If you can foresee not wanting to regularly remove rain water, snow and melted snow that builds up on top of your winter cover during the winter, then at this point you'll want to drain the water in the pool below the skimmer. If you are willing to go out and get a lot of the rain, snow and melted snow off the cover during the winter, then you don't have to drain your pool.

-If you decide to drain the pool, drain no lower than 1" (one inch) below the skimmer. You can use your pool cover pump or a siphon to do this.

5) Disconnect the filter system and remove all drain plugs from the pump and filter. Remove all hoses from skimmer and return. If you have a Sand Filter, drain all water completely, remove filter's valve and bring it inside and then tarp the filter body so rain or snow does not sit right on the filter or get inside the filter. If you have a DE or Cartridge Filter, remove element and rinse with water. Bring complete filter inside with the element. "Chemically Clean" the element in spring. Use pump protector on your pump. The spray pump protector works best and is easy to use. After pump protector, bring pump inside. You then want to use a non-petroleum lube on all the filter's and Pump's o-rings to prevent them from drying out.

6) Install Ice Equalizer Pillow. This is an inflatable pillow designed to help absorb pressure from ice expansion and assist in preventing damage to the pool structure. Pillows also allow the cover to funnel water to the sides of the pool, making it easier to remove in spring. Pillows should be inflated no more than half to three-quarters full, allowing room for expansion. They should then be anchored in the center of the pool by loosely tying string or twine from pool sides to pillows. We recommend using the easier "Pillow Pal." Please note: If a pillow breaks it is a sign that there is too much stress on the cover! If this should happen, immediately pump the water off the cover and replace the pillow with two or three smaller pillows. We always recommend two or three smaller pillows rather than one or two larger ones.

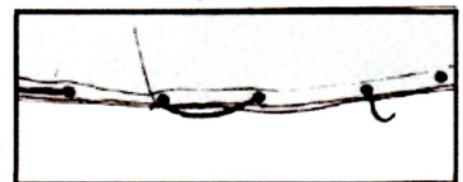
7) Pull the winter cover onto the pool. For round or oval pools you should start by folding the cover in half so that the top is on the inside of the fold. Then with one person at each side of the folded cover, pull it half way onto the pool. With the cover half on the pool, gradually pull the folded portion of the cover into place. Allow the cover to rest on the pool water (figure 1 & 2.)



8) Secure the cover with cable and cover clips. Weave the cable through the grommets around the edge of the cover. Once you have the cable in place, pull it snug under the top rails. Attach it to the winch or turnbuckle and tighten (figure 3.) Then, especially if you have heavy winds, attach 2 cover clips between each upright. Attach them onto the pool's top rails and right over the cover.

-If you have a partial or full deck around the pool, you may need to use water tubes, as described on our "In-Ground Winterization Sheet."

-In any case, we do not recommend tying the cover to anything or weighing it down by hanging bottles or other objects from the grommets. These procedures usually damage the cover and will void its warranty. Ask us how to properly cover your deck and fence pool.



9) Your pool should now be ready for winter. Remember, it is very important to pump or siphon any water off the cover as soon as possible when it rains or when snow melts. You also want to get as much snow off as you can. You should do this regularly.

**If you have any questions or concerns, we are open all winter,
so call us or stop by at anytime! Have a great winter!**

